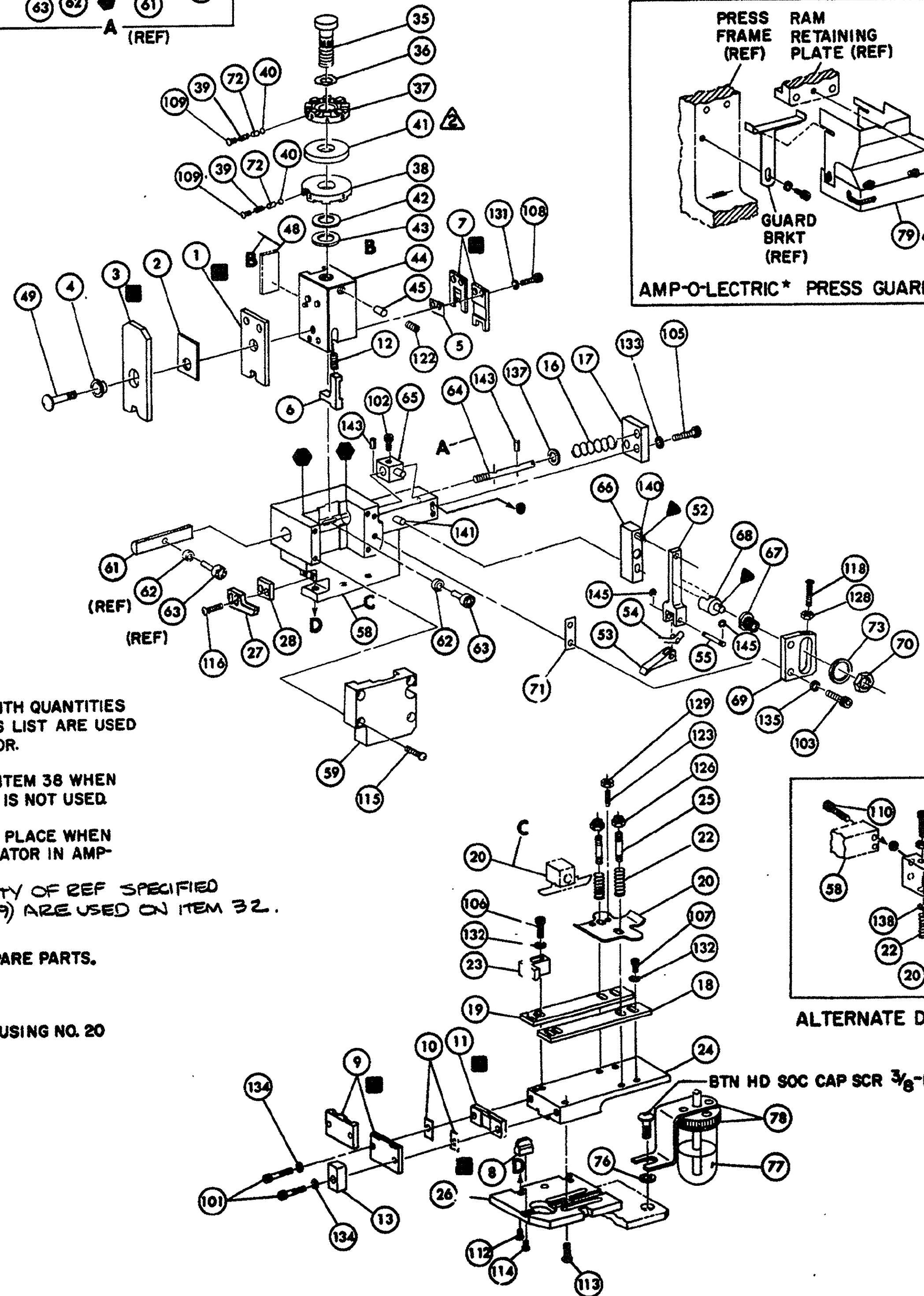
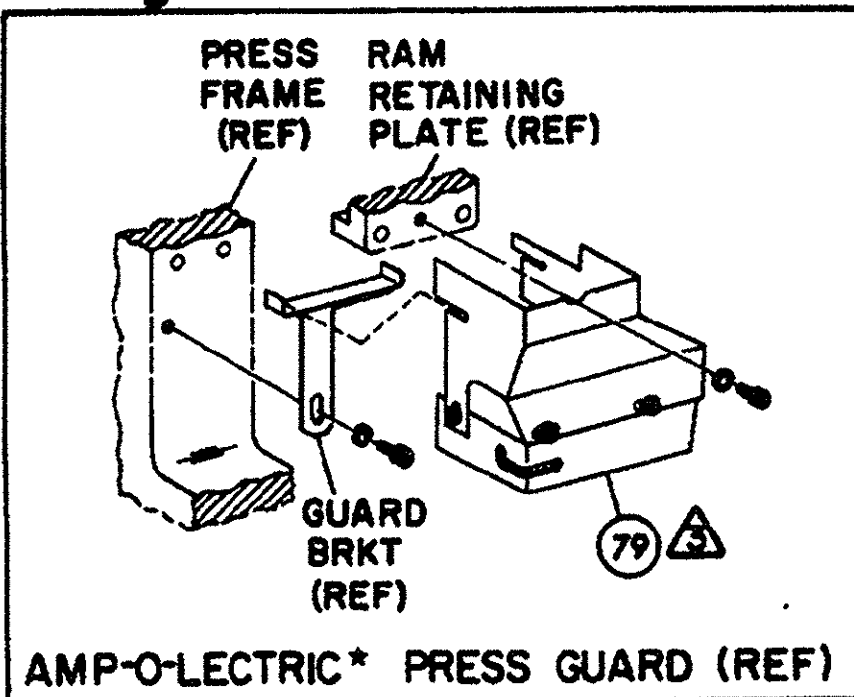
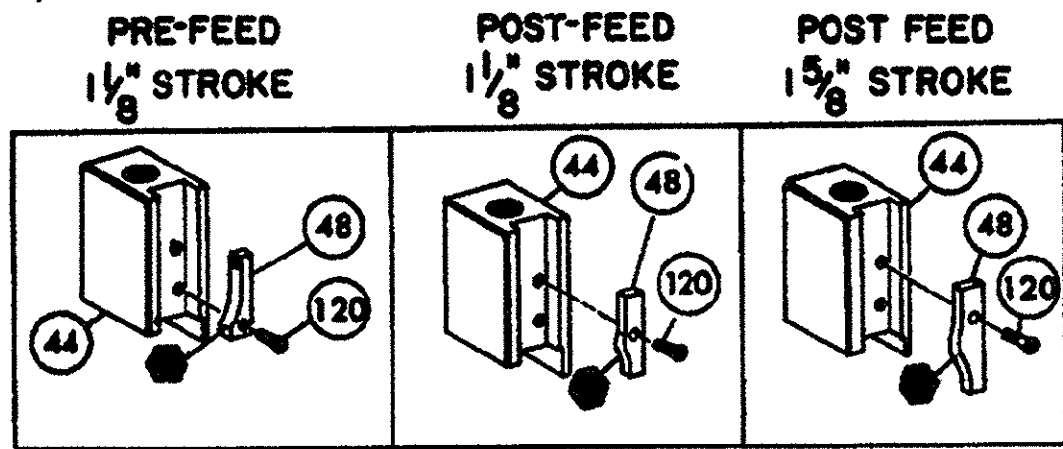
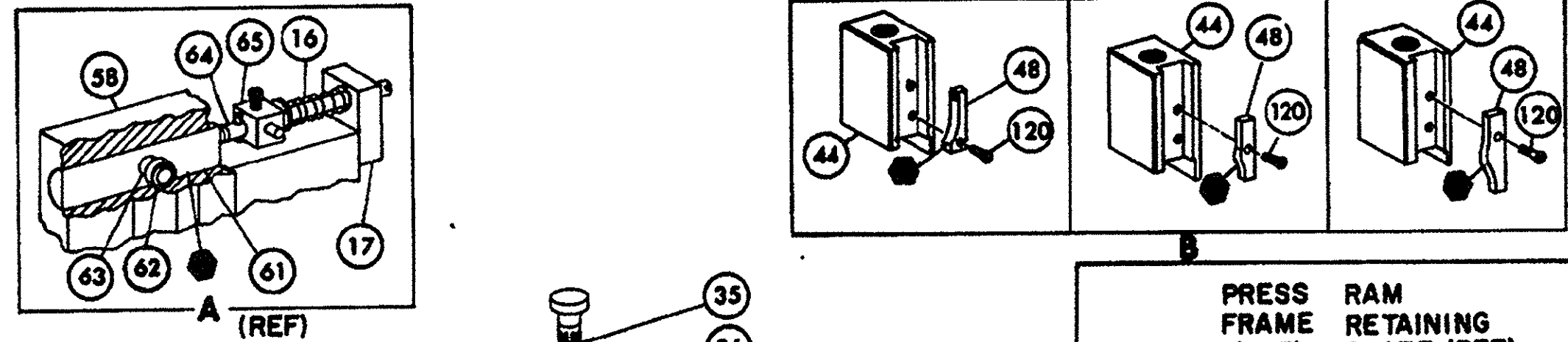


THIS IS A CONTROLLED DOCUMENT.



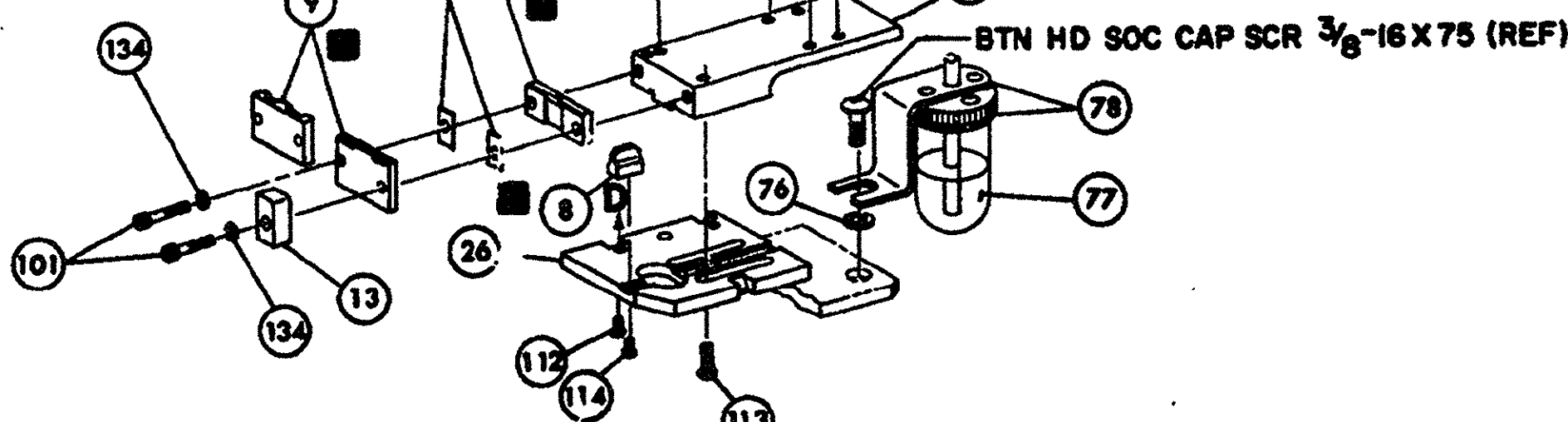
**NOTES:**

- 1 ONLY THE ITEMS WITH QUANTITIES SPECIFIED ON PARTS LIST ARE USED ON THIS APPLICATOR.
- USED IN PLACE OF ITEM 38 WHEN INSULATION CRIMP IS NOT USED.
- GUARD MUST BE IN PLACE WHEN OPERATING APPLICATOR IN AMP-O-LECTRIC PRESS.
- 4 PARTS WITH QTY OF REF SPECIFIED (EXCEPT ITEM 79) ARE USED ON ITEM 32.

**KEY:** RECOMMENDED SPARE PARTS.

LUBRICATE DAILY USING NO. 20 MACHINE OIL.

GREASE LIGHTLY.



REF	21045-3	RING, RETAINING 'C' (.187 DIA) FEED PIN	145	REF	454220-1	CAP, RAM HOUSING	59																														
REF	5-21028-1	PIN, SLOT SPG (.12 DIA X .50) FS: ADJ ROD	144	REF	453736-1	HOUSING	58																														
REF	1-21030-7	PIN, DOWEL (.187 DIA X 1.50) HOUSING	143	REF	247624-1	PIN, FEED FINGER	57																														
REF	1-21030-1	PIN, DOWEL (.187 DIA X .50) LEVER	142	REF	691499-1	SPRING, FEED FINGER	56																														
REF	22260-5	WASHER, FLAT (NO 6) DRAG SPRING	141	REF	240635-1	FINGER, FEED	55																														
REF	21899-4	WASHER, FLAT (5/16 DIA) SCR ADJ	140	REF	240634-1	LEVER, TERMINAL	54																														
REF	21024-5	WASHER, LOCK (NO 10) FEED ADJ PLATE	139	REF	240634-1	LEVER, TERMINAL	53																														
2	21024-5	WASHER, LOCK (NO 10) SHEAR PLATES	138	REF	7-21002-9	BOLT, CRIMPER	52																														
REF	21024-5	WASHER, LOCK (NO 10) FEED ROD GUIDE	137	REF	690501-4	CAM, POST FEED 1 5/8 STROKE	51																														
5	21024-4	WASHER, LOCK (NO 8) STRIP GUIDE	136	REF	690501-4	CAM, POST FEED 1 5/8 STROKE	50																														
2	21024-4	WASHER, LOCK (NO 8) SHEAR BLADE	135	1	690191-1	PLUG, NYLON	49																														
2	21018-4	NUT, HEX MACH (4-40) DRAG	134	1	455674-1	RAM	48																														
REF	21068-5	NUT, HEX MACH (6-32) FD ADJ PLATE	129	1	690125-1	WASHER, LAMINATED	47																														
REF	21018-7	NUT, HEX MACH (10-32) DRAG SPRING	128	1	690124-1	WASHER, RAM	46																														
2	21022-2	NUT, HEX SELF-LKG (8-32) DRAG STUD	127	REF	23241-6	BALL, STEEL	45																														
REF	5-21004-7	SCR, SKT HD SHLD (250 DIA X .25) DRAG ARM	126	2	690170-1	SPRING, COMPRESSION	44																														
REF	21004-5	SCR, SKT HD SHLD (250 DIA X 1.00) DRAG	125	REF	690142-1	DISC, INSULATION	43																														
2	4-21078-8	SCR, SKT SET OVAL POINT (4-40 X .75) DRAG	124	1	6-690141-B	DISC, WIRE	42																														
1	22651-9	SCR, SKT SET (1/4-20 X 25) (LOC-WEL) RAM	123	1	22480-5	WASHER, SPRING	41																														
1	2-21003-0	SCR, FLAT HD SKT CAP (6-32 X .50) CAM	122	1	690212-1	POST, RAM	40																														
REF	3-21064-2	SCR, RD HD MACH (6-32 X 1.50) FEED ADJ	121	1	458980-1	APPLICATOR, BASIC (SUB ASSY)	39																														
2	2-21002-2	SCR, BTN HD SKT CAP (8-32 X .50) STRIPPER	120	REF	458980-1	APPLICATOR, BASIC (SUB ASSY)	38																														
REF	2-21002-9	SCR, BTN HD SKT CAP (10-32 X .75) HSG CAP	119	REF	3-690451-2	SPACER, STRIPPER	37																														
1	24073-2	SCR, BTN HD SKT CAP (8-32 X .38) (LOC-WEL) ANVIL	118	1	455566-1	STRIPPER	36																														
4	3-21002-3	SCR, BTN HD SKT CAP (1/4-20 X .50) STR GDE PL	117	REF	455676-1	PLATE, BASE	35																														
REF	1-24073-9	SCR, BTN HD SKT CAP (1/4-20 X .75) BASE PL	116	2	22354-8	DRAG, STUD	34																														
REF	2-21000-4	SCR, SKT HD CAP (6-32 X 1.00) DRAG ADAPTOR	115	1	455678-1	PLATE, STRIP GUIDE	33																														
2	2-21000-8	SCR, SKT HD CAP (6-32 X .25) (LOC-WEL) CP DISC	114	1	240825-3	PLATE, STRIP HOLD	32																														
2	2-21000-6	SCR, SKT HD CAP (8-32 X 38) SHEAR BLADE	113	2	4-22281-1	SPRING, DRAG	31																														
3	2-21000-6	SCR, SKT HD CAP (8-32 X 38) STRIP GUIDE	112	REF	240636-1	LEVER, DRAG	30																														
2	2-21000-9	SCR, SKT HD CAP (8-32 X .75) STRIP GUIDE	111	1	454177-1	DRAG, STOCK	29																														
REF	3-21000-7	SCR, SKT HD CAP (10-32 X .75) FD ROD GUIDE	110	1	454204-3	GUIDE, STRIP (REAR)	28																														
REF	3-21000-9	SCR, SKT HD CAP (10-32 X 1.00) DRAG SPRING	109	1	454204-3	GUIDE, STRIP (FRONT)	27																														
REF	3-21000-6	SCR, SKT HD CAP (10-32 X .62) FD ADJ PLATE	108	REF	454178-1	GUIDE, FEED ROD	26																														
REF	3-21000-4	SCR, SKT HD CAP (10-32 X .38) PIVOT BLK	107	REF	4-22284-9	SPRING, FEED RETURN	25																														
2	3-21000-8	SCR, SKT HD CAP (10-32 X .88) SHEAR PLATE	106	REF	4-22284-9	SPRING, FEED RETURN	24																														
REF	455745-1	GUARD, WINDOW	79	REF	4-22284-9	ADAPTER, DRAG	23																														
REF	455184-9	LUBRICATOR ASSY	78	REF	455184-9	SPACER, HOLD DOWN	22																														
REF	455985-1	OIL, LUBRICATING	77	REF	455985-1	SPRING, HOLD DOWN	21																														
REF	454406-1	SPACER, LUB BRACKET	76	1	240644-1	PLATE, REAR SHEAR	20																														
REF	458109-1	WASHER, FLAT (SPECIAL)	75	REF	240644-1	SPACER, SHEAR PLATE	19																														
2	690603-1	SPRING, ASSIST	74	1	690495-3	PLATE, FRONT SHEAR	18																														
REF	690517-1	SPACER	73	1	1-240655-7	ANVIL	17																														
REF	22594-8	NUT, HEX	72	1	690474-5	BLADE, SLUG	16																														
REF	240628-1	PLATE, ADJ	71	REF	690474-5	HOLD DOWN, TERMINAL	15																														
REF	240626-1	SHAFT, PIVOT	70	1	240641-6	SPACER, SHEAR BLADE	14																														
REF	240633-1	BUSHING	69	1	238009-1	SPACER, TUBULAR	13																														
REF	455680-1	LEVER, INTERMEDIATE	68	1	4-456134-6	CRIMPER, INSULATION	12																														
REF	240629-1	BLOCK, PIVOT	67	1	455888-5	SPACER, INSULATION	11																														
REF	240632-2	SCREW, ADJ	66	1	456408-7	CRIMPER, WIRE	10																														
REF	240659-3	PIN, CAM ROLLER	65	1	456408-7	CRIMPER, WIRE	9																														
REF	240658-1	CAM, ROLLER	64	QTY	PART NO	DESCRIPTION	ITEM																														
REF	454398-1	ROD, FEED	63	<table border="1"> <thead> <tr> <th colspan="4">CRIMPING DATA</th> <th>APPLICATOR WILL APPLY</th> </tr> <tr> <th>PAD LTR</th><th>CRIMP HEIGHT</th><th>WIRE SIZE</th><th>WIRE STRIP LENGTH</th><th>735210</th> </tr> </thead> <tbody> <tr> <td>A</td><td>.072</td><td>14</td><td></td><td></td> </tr> <tr> <td>B</td><td>.064</td><td>16</td><td></td><td></td> </tr> <tr> <td>C</td><td>.058</td><td>18</td><td></td><td></td> </tr> <tr> <td>D</td><td>NOT USED</td><td></td><td></td><td></td> </tr> </tbody> </table>				CRIMPING DATA				APPLICATOR WILL APPLY	PAD LTR	CRIMP HEIGHT	WIRE SIZE	WIRE STRIP LENGTH	735210	A	.072	14			B	.064	16			C	.058	18			D	NOT USED			
CRIMPING DATA				APPLICATOR WILL APPLY																																	
PAD LTR	CRIMP HEIGHT	WIRE SIZE	WIRE STRIP LENGTH	735210																																	
A	.072	14																																			
B	.064	16																																			
C	.058	18																																			
D	NOT USED																																				

REMARKS		NO	REV
APPL USED ON MACHINE PART NO		MACH SERIAL NO	DISTRIBUTION
CUSTOMER NAME		APPL SERIAL NO	ORIGINAL
ADDRESS		PURCHASE ORDER	CUSTOMER COPY
CITY		ENG APP	FIELD ENG COPY

WIRE	110	F	740	A18039
INSUL	180	F		
WIRE RANGE	18-14	INSULATION RANGE	170-170	PRESS NO
REMARKS: AMPOMATOR				

SET UP PAGE 10-1		AMP INCORPORATED	
458638-1 G17		Harrisburg, Pa.	
DRG 25-34-APP 3, 4, 7		REV 1	
11/19/54		A.D. NO 466318-1	
2/2/59		REV A2	
A2 ECR-05-010931		NAME MINIATURE QUICK CHANGE APPLICATOR	
A1 O&R P&A A-291691		END FEED (250 FASTON RECPT)	
A3 REV. 2-2-59			